

L-PWP06A Cabinet Loudspeaker

FEATURES

- Superb audio and music reproduction performance
- High-impact fire resistant ABS cabinet
- Simple power setting
- Easy installation and cost effective
- CE and RoHS compliant



PRODUCT DESCRIPTION

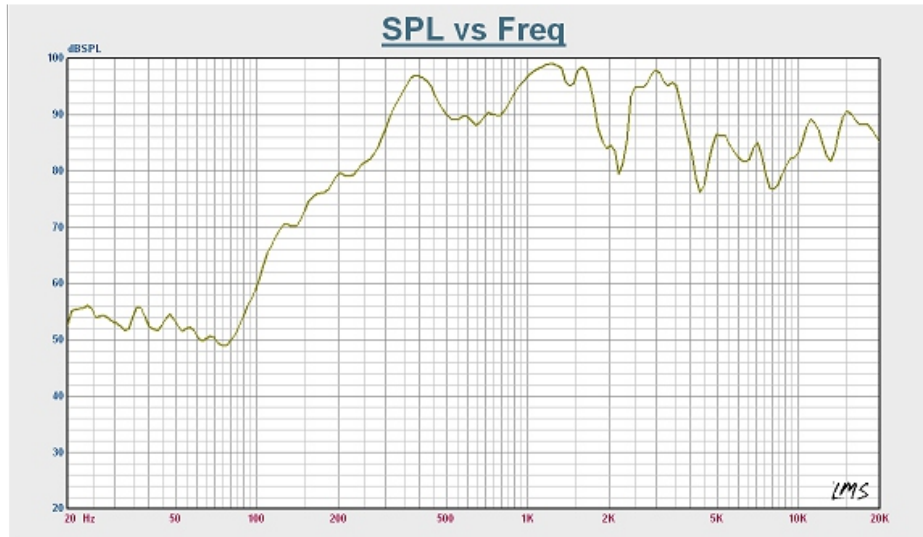
L-PWP06A is a 6W, high-impact ABS cabinet loudspeaker finished in a low-profile white color. The stylish and innovative design is well received by general public. It is suitable for applications in various environments such as shopping malls, educational institutes,

office buildings, hotels and restaurants. The loudspeaker has a high quality cone, which provides exceptional audio performance and ensures a longer operating life. The quick and simple installation saves time and cost. The loudspeaker is CE and RoHS compliant.

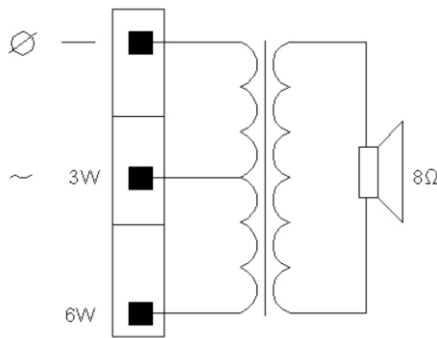
TECHNICAL SPECIFICATIONS

Model	L-PWP06A
Max power	9 W
Rated power	6 W
Power taps @ 100V	6 W / 3 W
Power taps @ 70V	3 W / 1.5 W
SPL at 6W / 1W (1k Hz, 1m)	100 dB / 94 dB
Frequency response (- 10 dB)	130 Hz - 20k Hz
Dispersion angle (1k Hz / -6 dB)	120°
Rated input voltage	100 V / 70 V
Rated impedance	1.7k Ω / 3.3k Ω
Connector	Cable
Dimensions (W × H × D)	260 × 162 × 77 mm
Diameter of speaker	5.5"
Weight	1 kg
Color	White (RAL9010)
Weight of magnet	115 g

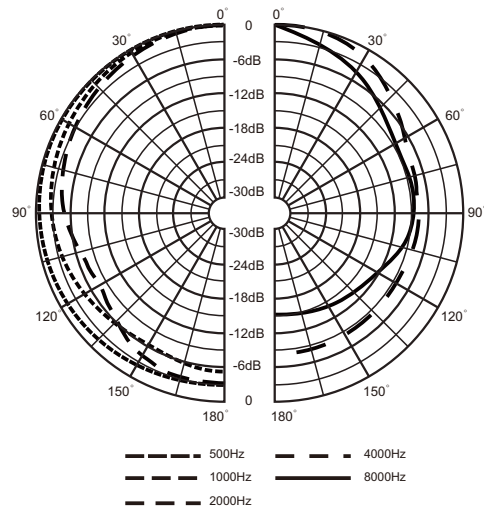
FREQUENCY RESPONSE



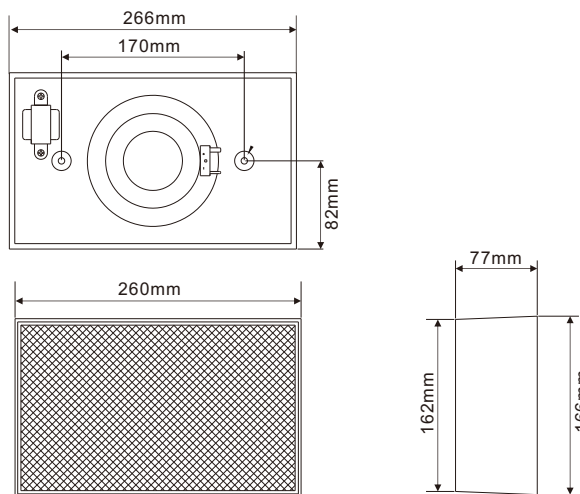
CIRCUIT DIAGRAM



POLAR DIAGRAM



THREE-VIEW DIAGRAM



Honeywell Audiovisuals

No. 257, Junye Road
 Guangzhou GETDD East
 510530 China
 Tel: +86 20 2839 9600
 Fax: +86 20 2820 8706
 www.honeywellav.com

2100040619_EN2.1
 Nov 2012
 © 2012 Honeywell International Inc.

Honeywell